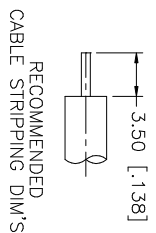
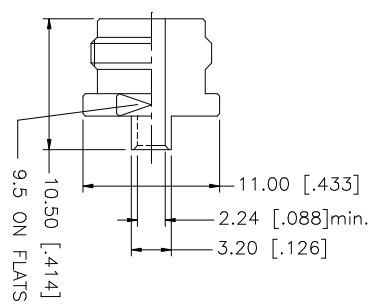
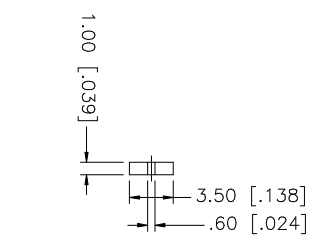
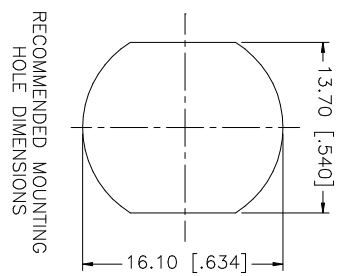
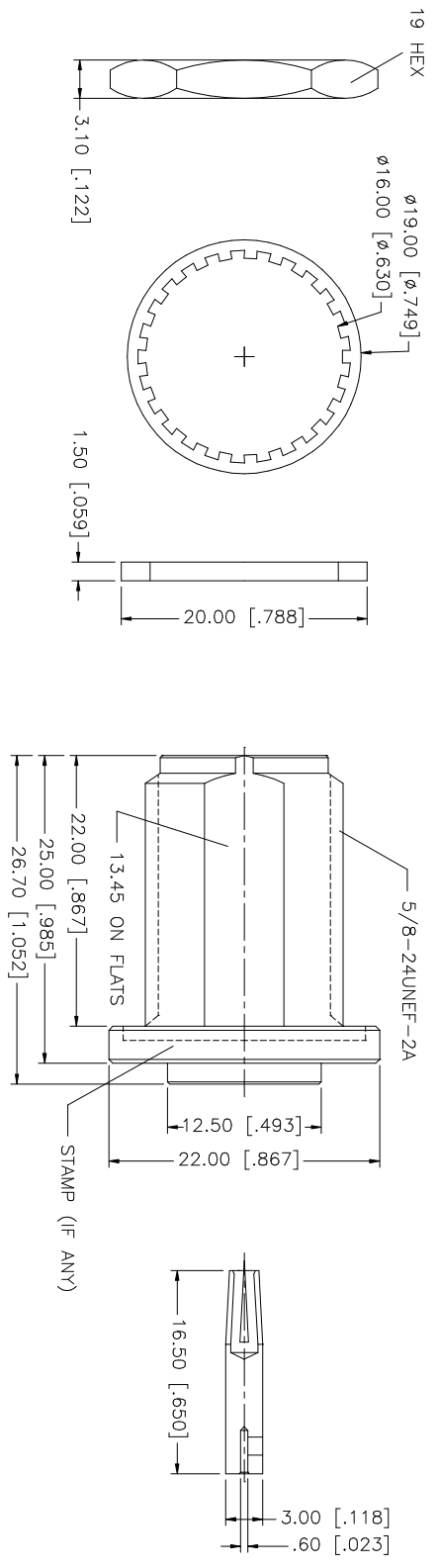


REV.	DATE	DESCRIPTION
A	12/09/03	UPDATE DRAWING FORMAT



NOTES:  
1. CONTACT PIN SOLDER

QTY	FINISH	MATERIAL	DESCRIPTION
1	NEXCOTE	BRASS	HEX NUT
1	NEXCOTE	BRASS	LOCK WASHER
1	RED	SILICONE	GASKET
1	GOLD	BRASS	SOLDER NUT
1	NATURAL	TEFLON	INSULATOR
1	GOLD	PHOS. BRONZE	CONTACT PIN
1	NATURAL	TEFLON	INSULATOR
1	NEXCOTE	BRASS	BODY

APPROVALS	DATE	PART DESCRIPTION
DRAWN G.R.S.	12/09/03	N BULKHEAD DIRECT SOLDER JACK (FOR .085", .086" SEMI RIGID CABLE)
CHECKED		
ISSUED		
SHEET 1 OF 1		

DO NOT SCALE DRAWING	CAD FILE	DWG. NO.	REV.	SIZE	SCALE
	C:/172/172138.DWG	172138.DWG	A	A	NA

**Amphenol** **Comnex**